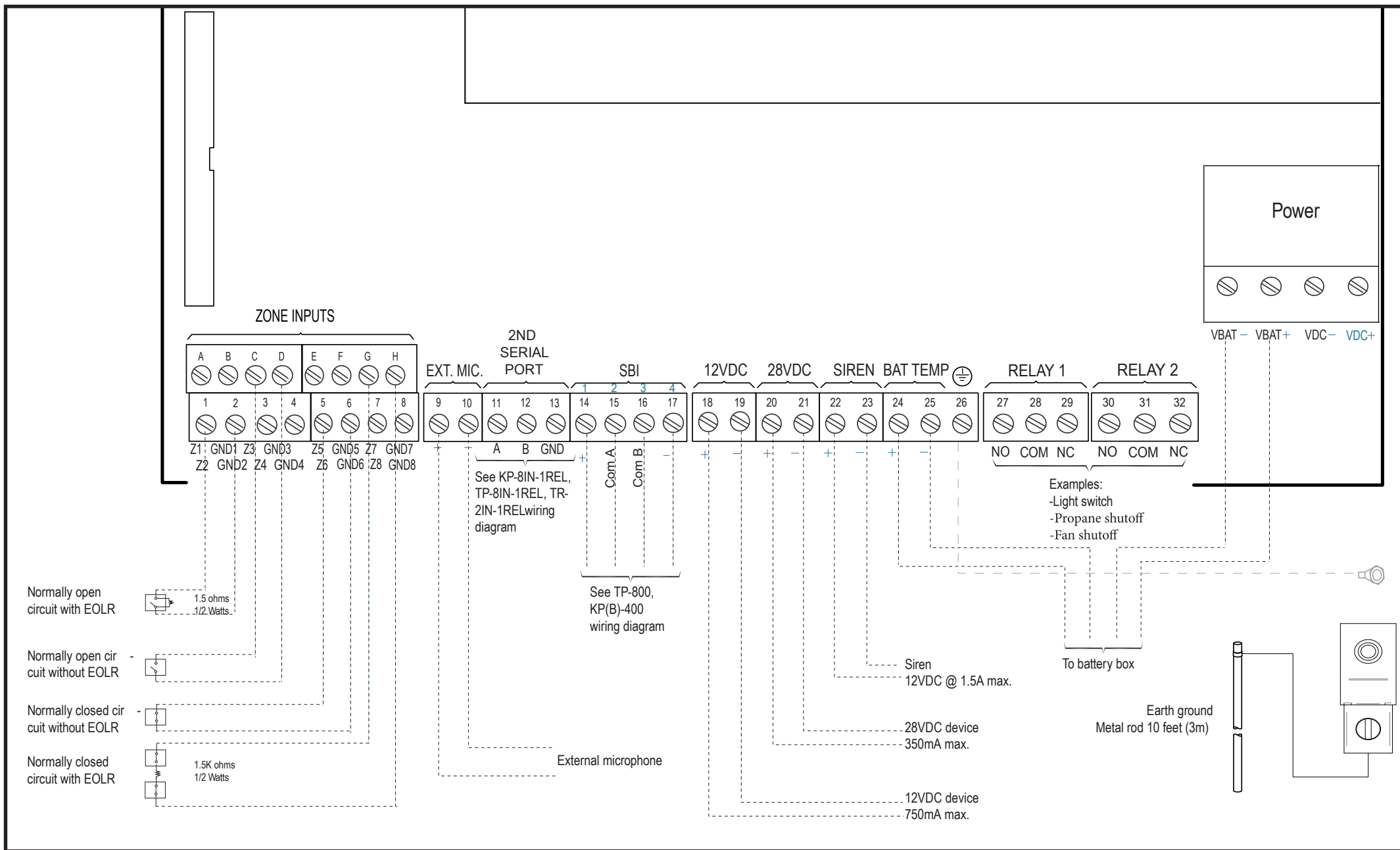


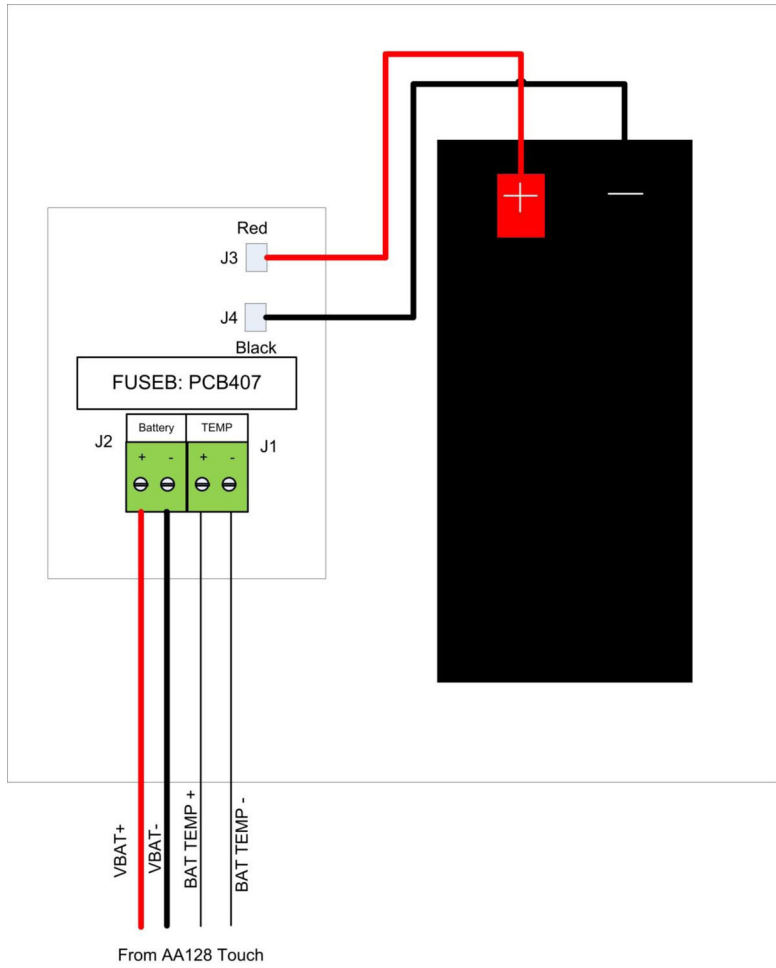
NOTE: For more complete information on the product, please refer to the manual on the USB key provided with your Agri Alert 128 Touch or go to the following web sites :

AP website: <http://www.automatedproduction.com/en/apmanuals.php>

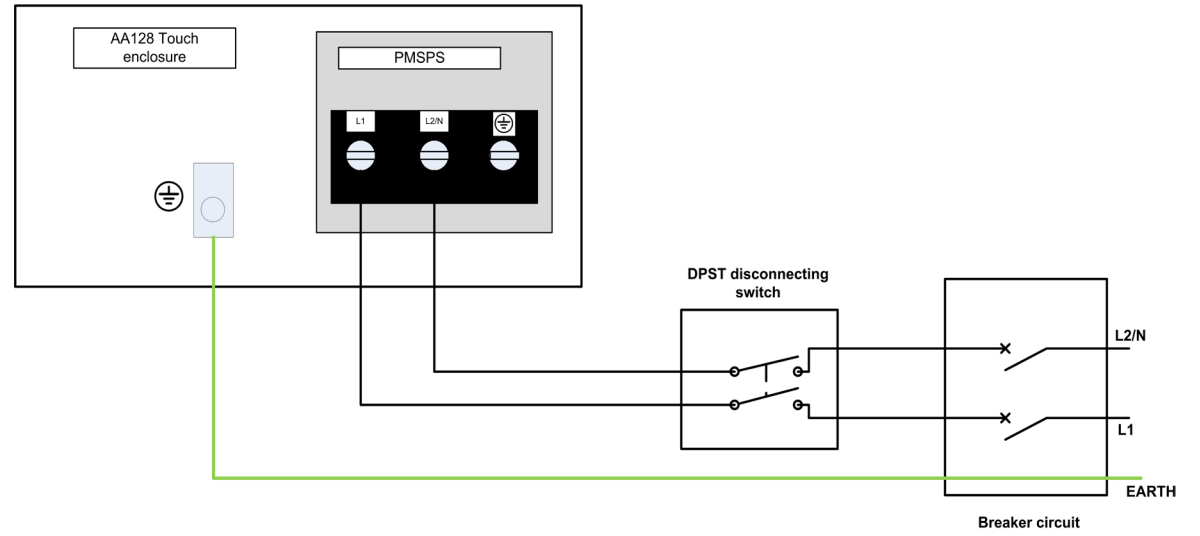
Cumberland website: <http://www.cumberlandpoultry.com/sales-and-service/manuals.html>



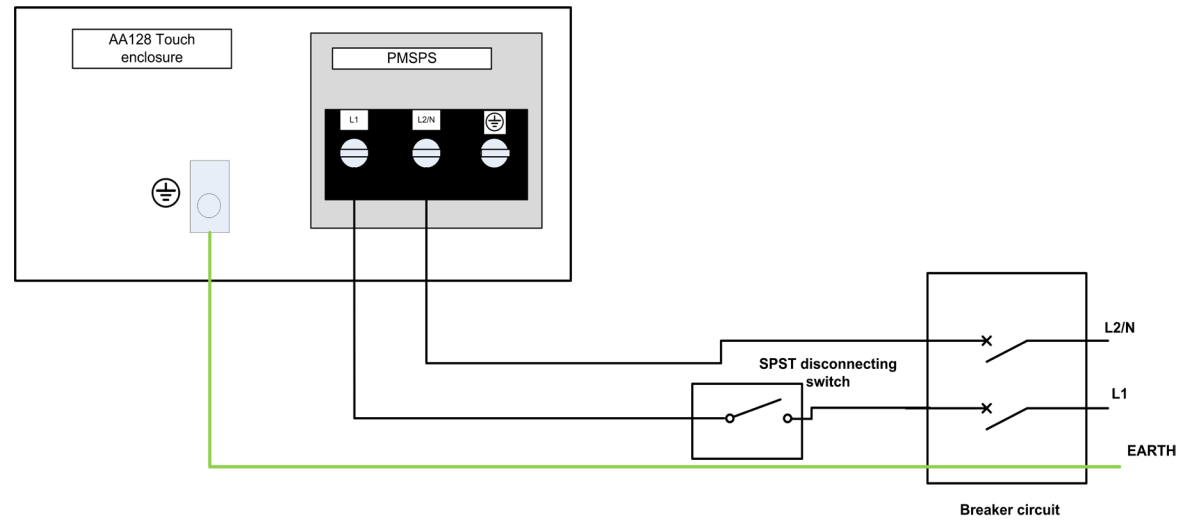
## Wiring in the battery box



## Wiring diagram with a DPST disconnect switch



## Wiring diagram with a SPST disconnect switch



## Technical Specifications

### TYPE: Agri Alert system

Operating Temperature: 32 to 104°F (0 to 40°C)

Indoor use only

Pollution Degree: 2

Installation Category: 2

Altitude: 7900 Ft. Max (2000 Meters Max)

Humidity (maximum relative) operating:

- 0 to 10 °C (32 to 50 °F) Non condensing
- 10 to 30 °C (50 to 86 °F) 95 % (± 3 %) Non condensing
- 30 to 40 °C (86 to 104 °F) 95 % (± 3 %) Non condensing

### SUPPLY INPUT :

100V<sub>AC</sub>-240V<sub>AC</sub>, 1 phase, 240W, 50-60Hz

BATTERY: Rechargeable, sealed, lead-acid, 12V-7.0AH

### OUTPUTS :

RELAY 1-2: 28Vdc, 4A max.

SERIAL BUS: 28Vdc, 2A max.

SIREN: 12Vdc, 1.5A max.

12VDC: 12Vdc, 750mA max.

28VDC : 28Vdc, 350mA max.

Main supply voltage fluctuations shall not exceed +/- 10% of the nominal supply voltage.

**Table 1** Main enclosure specifications

Item	Description	
Enclosure material	Flame retardant ABS	
Dimensions	Width	16-11/16 inches (42.4 cm)
	Height	13- 13/16 inches (35.1 cm)
	Depth	7 inches (17.8 cm)
	Weight	5.15 kilograms (11.35 lbs)

**Table 1 Main enclosure specifications (cont'd.)**

Item	Description	
Sensor inputs	8 inputs, self-configuring for various sensor types	
Touch screen	Size	7 inches (17.8 cm)
	Type	TFT color LCD
	Resolution	WVGA (800 × 480 pixels)

**Table 2 Battery enclosure specifications**

Item	Description		
Enclosure material	Flame retardant ABS		
Dimensions	Width	11 inches (28 cm)	
	Height	9- 7/8 inches (25 cm)	
	Depth	5 inches (12.7 cm)	
Weight	2.97 kilograms (6.55 lbs) including the weight of the battery		
Nominal voltage	12 Volts		
Nominal capacity	7.00 Ah		
Terminal	T2 (Faston Tab 250)		
Storage temperature	-20 °C to 40 °C (-4 °F to 104 °C)		
Battery  (the values shown are based on ambient temperatures of 20 - 25 °C (68 - 77 °F))	Type	Sealed lead-acid battery	
	Power output	12 VDC, 7.5 Ah	
	Shelf discharge	3% per month	
	Average battery capacity with low load	When the siren, the 12 VDC outputs and the SBI are <b>not</b> used.	32 hours
	Average battery capacity with high load	When the siren, the 12 VDC outputs and the SBI are used.	20 minutes
	Average lifespan	3 years	
	Battery weight	2.2 kilograms (4.85 lbs)	

**Table 3 Sensor specifications for zone types**

Zone type	Sensor specifications
Internal and external temperature zones	Compliant to GSIE temperature probes (orange cap)
Analog 0-5 Volts	Sensor must be able to drive a 2k Ohms load, which means the sensor must drive at least 2.5mA to ensure correct readings
Analog 4-20mA	Sensor must be able to drive a 120 Ohms load  Maximum 20.8mA, 2.5V  The load =120 Ohms
Dry contact, Intrusion	Close contact resistance must be lower than 200 Ohms

**Table 3** *Sensor specifications for zone types (cont'd.)*

	<p>Open contact resistance must be higher than 100k Ohms</p> <p>The resistance value includes the value of wire resistance</p> <p>End of line resistor is 1.5k Ohms</p>
Water meter, Pulse speed	<p>Dry contact without end of line resistor</p> <p>Max 100Hz, pulse width minimum of 3.2ms</p> <p>Max 100 Ohms (close contact) and min. 100k Ohms (open contact) including the value of the wire resistance</p>
AA-CS	Model AT1-005-000-FT only