

Product sheet
IA Actuator

- Maintenance free
- Two load capacities available:
1000 lb. & 2500 lb.
- Self-braking transmission
- Precision Dual limit switches
- Manual Override switch on machine
- Double Belt and Drum or Pipe Drive operation
- Thermally protected motor
- 100% Sealed Components (IP55 rating)
- Easy to use and install
- Optional Potentiometer

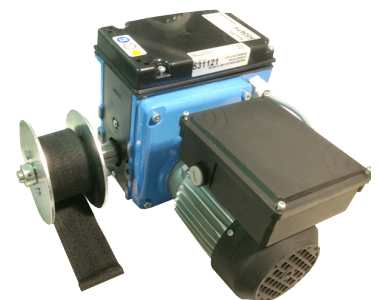


IS-IA © Copyright Munters Corporation - July 2016 - Printed in USA

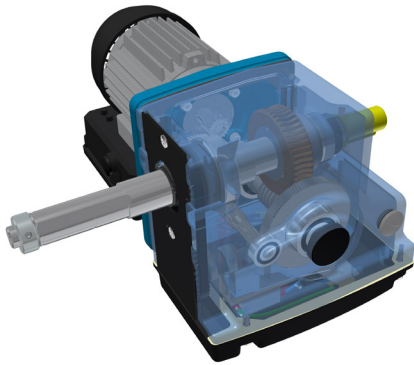
IA Actuator

Robust, reliable and precise describes the IA Actuator from Munters. The IA allows growers to accurately control the climate in their buildings, where effective ventilation is needed to create the optimum climate. There are two units available to deliver your needed load capacity. The IA Actuator is the perfect drive unit for operating Air Inlets or Tunnel Doors.

Controlled by a Munters climate controller, IA positions the air inlet to provide the required supply of fresh air. The drive power required by the IA actuator is provided by a 120 VAC motor. The wear-resistant gear and worm wheel transmissions convert this drive power into a slow movement with a distinctive high drive torque, delivering excellent performance in its application.

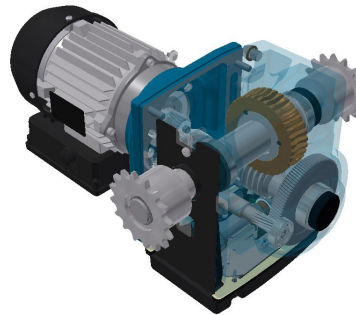


Options:



IA0090

- 9 in/min
- 1000 lb. capacity
- 30% duty cycle



IA0250

- 9 in/min
- 2500 lb. capacity
- Using Two Belts (1250 lb per belt)
- 30% duty cycle

Accessories Options:

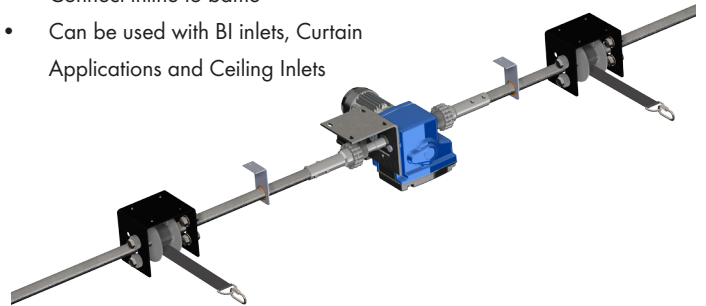
Belt and Drum Kit

- Can be used with BI inlets and sidewall inlets

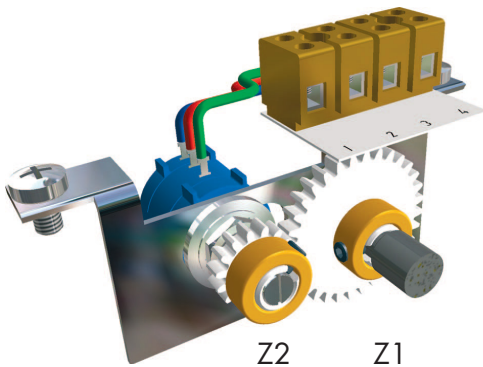


Pipe Drive Kit

- No cables or pulleys
- Connect inline to baffle
- Can be used with BI inlets, Curtain Applications and Ceiling Inlets



Potentiometer Options:



Scan to watch Assembly and Installation Video or visit Munters YouTube Channel



IA0090L	Z2										
	Gear Size	14	15	18	20	24	25	30	32	36	40
Z1	6								48	54	
	8							33.8	36	40.5	
	14				12.8	15.4	16	19.2	20.5	32.1	25.7
	15			10.8	12	14.4	15	18	19.2	21.6	24
	18		7.5	9	10	12	12.5	15	16	18	
	20	6.3	6.7	8.1	9	10.8	11.2	13.5	14.4		
	24	5.2	5.6	6.7	7.5	9	9.3	11.2			
	25	5	5.4	6.4	7.2	8.6	9	10.8			
	30	4.2	4.5	5.4	6	7.2	7.5				
	32	3.9	4.2	5	5.6						
36	3.5	3.7	4.5								
40	3.1	3.3									

The table gives the number of revolutions of the output shaft from the open to closed position. The 10- turn potentiometer allows a maximum of 9 revolutions.



Ruby360

INTEGRATED AGRICULTURAL SOLUTIONS

1-888-218-7829 sales@ruby360.ca

40 Woodstock St. N., Tavistock, ON NOB 2R0

ruby360.ca

Australia Munters Pty Limited, Phone +61 2 6025 6422, Fax +61 2 6025 8266, **Austria** via sales organization in Germany, **Brazil** Munters Brasil Industria e Comercio Ltda, Phone +55 41 3317 5050, Fax +55 41 3317 5070, **China** Munters Air Treatment Equipment (Beijing) Co., Ltd., Phone +86 10 80 481 121, Fax +86 10 80 483 493, **Denmark** via sales organization in Sweden, **Finland** Munters Oy, Phone +358 9 83 86 030, Fax +358 9 83 86 0336, **France** Munters France S.A., Phone +33 1 34 11 57 50, Fax +33 1 34 11 57 51, **Germany** Munters Euroform GmbH, Phone +49 241 89 00 0, Fax +49 241 89 00 5199, **Indonesia** Munters, Phone +62 21 9105446-7, Fax +62 21 5310509, **Italy** Munters Italy S.p.A., Phone +39 0183-52 11, Fax +39 0183-521 333, **Japan** Munters K.K., Phone +81 3 5970 0021, Fax +81 3 5970 3197, **Kingdom of Saudi Arabia** and **Middle East** **Hawa** Munters, c/o Hawa United Cooling Syst. Co. Ltd., Phone +966 1 477 15 14, Fax +966 1 476 09 36, **Korea** Munters Korea Co., Ltd, Phone +82 2 761 8701, Fax +82 2 761 8777, **Mexico** Munters Mexico Phone +52 722 270 40 30, Fax +52 722 270 41 95, **Norway** via sales organization in Sweden, **South Africa** and **Sub-Sahara Countries** Munters (Pty) Ltd, Phone +27 11 997 2000, Fax +27 11 608 3501, **Spain** Munters Spain S.A., Phone +34 91-640 09 02, Fax +34 91-640 11 32, **Sweden** Munters Europe AB, Phone +46 8 626 63 00, Fax +46 8 754 56 66, **Switzerland** via sales organization in Germany, **Thailand** Munters (Thailand) Co. Ltd., Phone +66 2 645 2708-12, Fax +66 2 645 2710, **United Kingdom** Munters Ltd, Phone +44 845 644 3980, Fax +44 845 644 3981, **USA** Munters Corporation Fort Myers, Phone +1 239 936 1555, Fax +1 239 936 8858, Munters Corporation Mason, Phone +1 888 335 0100, Fax +1 517 676 7078, **Export & other countries** Munters, Phone +46 8 626 63 00, Fax +46 8 754 56 66.