



Base Unit  
Format\*\*



Jelly Jar  
Format



Junction Box Format\*

- Improves animal welfare
- Can act as a "Service Light"
- Advanced system specialized for Swine
- 10W LED equivalent to 75W incandescent
- Dim-to-Red technology enhances performance
- Durable, Built For Your Barn® design
- Low-profile, wide beam angle
- Energy provider rebates

\*Product shown with recommended junction box.  
\*\*Compatible with AgriShift® STC/STA Stringer.



AgriShift® lighting systems "shift" spectrum and intensity, meeting the individual needs of your animals†.



Swine-specific **Dim-to-Red** technology reduces interruptions during animal sleep cycles by dimming fully to red, which swine perceive as darkness.



A **Built For Your Barn®** design uses techniques and materials that withstand harsh barn environments for years to come.

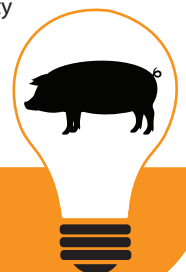
## Animal-Centric Lighting Systems

The AgriShift® MLM-S for swine is a highly efficient lighting fixture designed to evenly distribute light for both the swine herd and humans caring for them. The red spectrum used makes it easy to provide natural daylight simulation for improved productivity.

The AgriShift® MLM-S has a Built For Your Barn® design and is suitable for use in sow barns, gestation buildings, nurseries, gilt development units and finishing facilities. It has a modular build, allowing for easy installation with a retrofit solution that helps eliminate constant replacement cycles.

### The Science Behind the Technology

When completing your lighting system with an AgriShift® Control, AgriShift® Dim, and ONCE® recommended lighting schedule, you provide animals with a natural sunrise/sunset simulation, reducing stress caused by sudden changes in light. The Dim-to-Red technology fully dims to red, which swine perceive as darkness and allows the light to be used as a "service light" so workers can access the facility without disturbing sleep cycles.



## AgriShift® MLM-S Specifications

Nominal Power	10W (at full intensity)
Luminous Flux	1040 lm human photopic (120V)
Input Voltage	120 VAC / 50/60 Hz
Beam Angle	200°
Light Output Equivalence	Up to 75W incandescent
Spectral Output	Species-specific full spectrum white
Operating Temperature	-20°C to 40°C / -4°F to 104°F
Dimmable Range	100% to 5%, dims-to-red - white moonlight
Dimmer Type	Phase Modulation or Amplitude Control*
Environmental Ratings	Suitable for damp locations, Suitable for indoor corrosive environments per UL50E Salt Spray Test RoHS Compliant
Safety	Conforms to ANSI/UL STD 1598, Certified to Can/CSA STD. C22.2 NO. 250.0

## Ordering Information

### AgriShift® MLM-S

Base Unit (BU)  
 Jelly Jar (JJ)  
*Includes JJ adaptor/connector kit*  
 Junction Box (JB)  
*Includes JB adaptor/connector kit*

**SKU**  
 MLM-SSWR-BU-180T-010-120  
 MLM-SSWR-JJ-180T-010-120  
 MLM-SSWR-JB-180T-010-120

### AgriShift® MLM-S Accessories

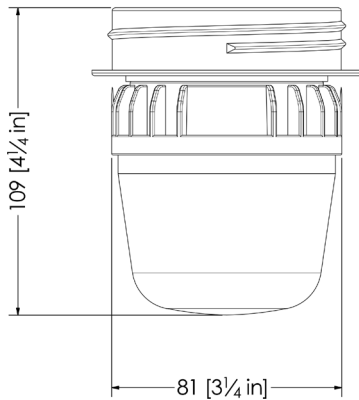
AgriShift® Control 120V  
 AgriShift® Dim 120V  
 AgriShift® Control 240V-50Hz  
 AgriShift® Control 240V-60Hz  
 Junction Box  
*Five 3/4" threaded outlets*  
 Junction Box  
*Five total 3/4" KO hubs, four sealed*

**SKU**  
 30-014-00188-L123  
 30-014-00189-L123  
 30-014-00180-L123  
 30-014-00180-L123-60Hz  
 PRB57550GY  
 PRB575GYKO

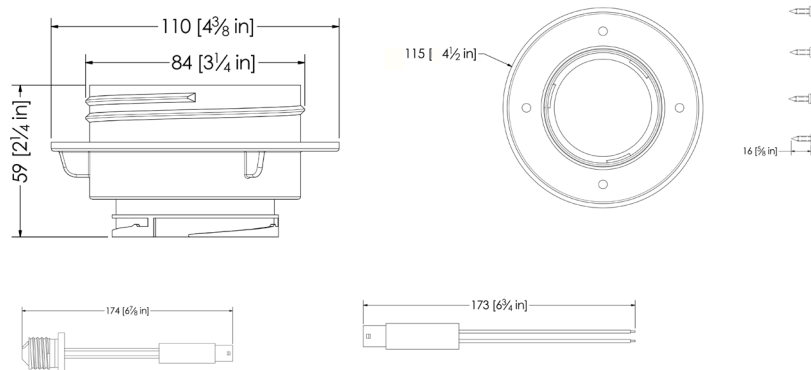
\*For optimum dimming performance use AgriShift® Controllers  
 \*\*Includes (4) stainless steel screws

## AgriShift® MLM-S Mechanical Dimensions

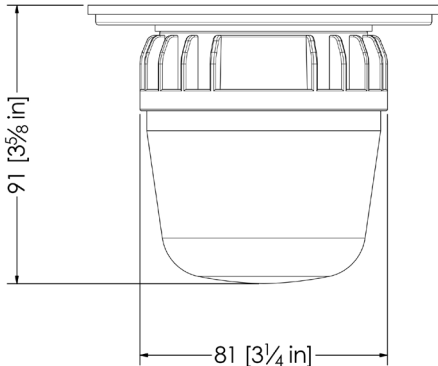
Jelly Jar (JJ)



JJ Adapter Kit\*\*



Junction Box (JB)



JB Adapter Kit\*\*

